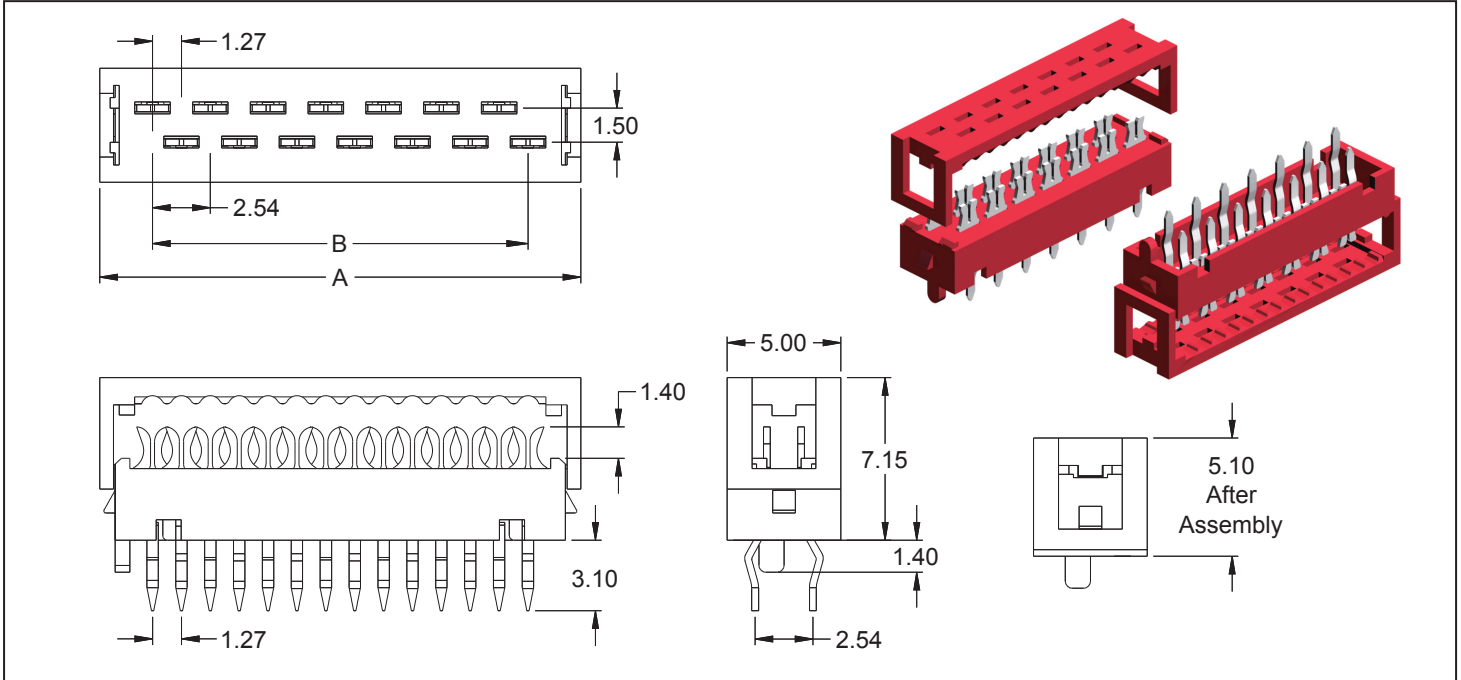
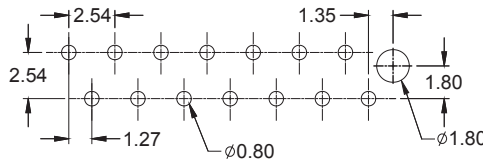


Mini – Flex Connector  
 IDC pitch 1,27mm - THT - Plug



PCB Hole Layout



SPECIFICATIONS

Current rating	1.5 A
Nominal rating	230 V
Contact resistance	10 mΩ max.
Insulator resistance	1000 MΩ min.
Withstanding voltage	500 V AC
Operating temperature	-40°C to +105°C
Insulator material	P.B.T. (red) UL 94 V-0
Contact material	Phosphor Bronze

RIBBON CABLE RECOMMENDATION

Cable Type	Ribbon UL Style 2651
Spacing	1.27 mm
Wire range	stranded 0.08-0.09 mm <sup>2</sup> AWG28 solid Ø 0.30
Insulation Diameter	0.90 mm

Dimensions (mm)

Contacts	DIM "A"	DIM "B"	Contacts	DIM "A"	DIM "B"	Contacts	DIM "A"	DIM "B"
004	8.45	3.81	012	18.61	13.97	020	28.77	24.13
006	10.99	6.35	014	21.15	16.51			
008	13.53	8.89	016	23.69	19.05			
010	16.07	11.43	018	26.23	21.59			

How to order

MFP - xxx - DC50 - 99

Nbr of contacts
004; 006; 008; 010 012; 014; 016; 018 020

Plating
99 = Tin
Other platings on request