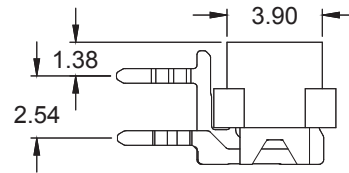
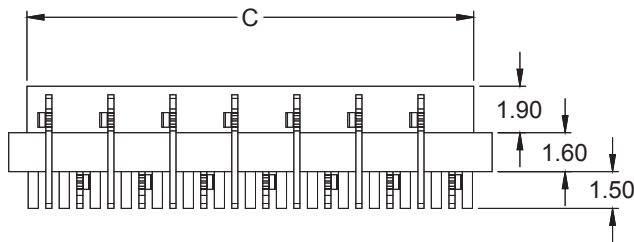
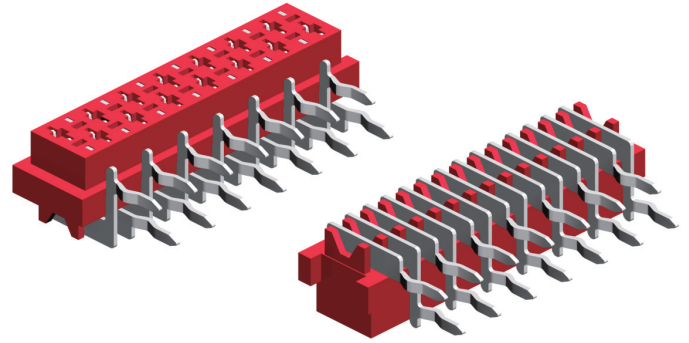
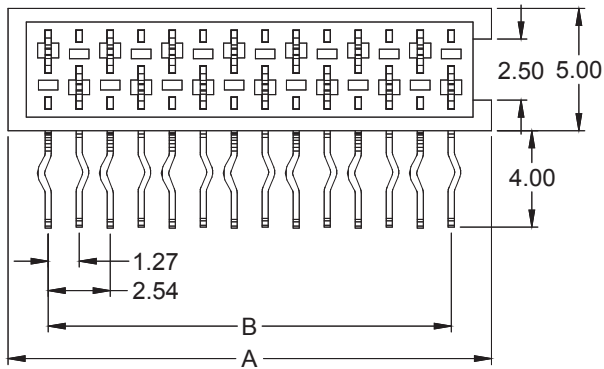


Mini - Mate Connector

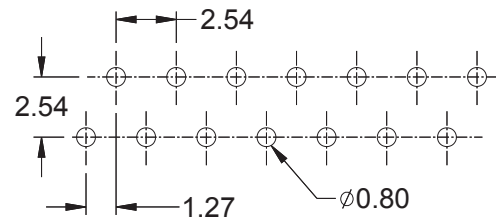
- THT - right angle female Block Shape



SPECIFICATIONS

Current rating	1 A
Nominal rating	230 V
Contact resistance	10 mΩ max.
Insulator resistance	1000 MΩ min.
Withstanding voltage	500 V AC
Operating temperature	-40°C to +105°C
Insulator material	Nylon 46 (red) UL 94 V-0
Contact material	Phosphor Bronze

PCB Hole Layout



Dimensions (mm)

Contacts	DIM "A"	DIM "B"	DIM "C"	Contacts	DIM "A"	DIM "B"	DIM "C"	Contacts	DIM "A"	DIM "B"	DIM "C"
004	7.00	3.81	5.60	012	17.16	13.97	15.76	020	27.32	24.13	25.92
006	9.54	6.35	8.14	014	19.70	16.51	18.30				
008	12.08	8.89	10.68	016	22.24	19.05	20.84				
010	14.62	11.43	13.22	018	24.78	21.59	23.38				

How to order

MMF - xxx - RB50 - 99

Nbr of contacts

004; 006; 008; 010
012; 014; 016; 018
020

Plating

99 = Tin

Other platings on request